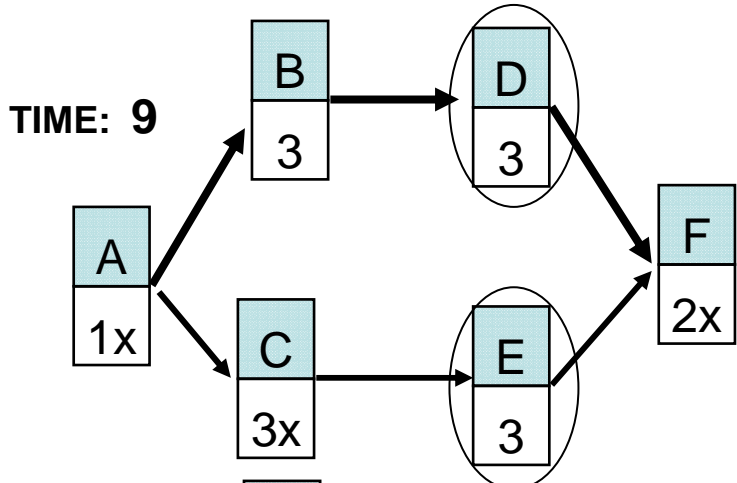


EV9-1

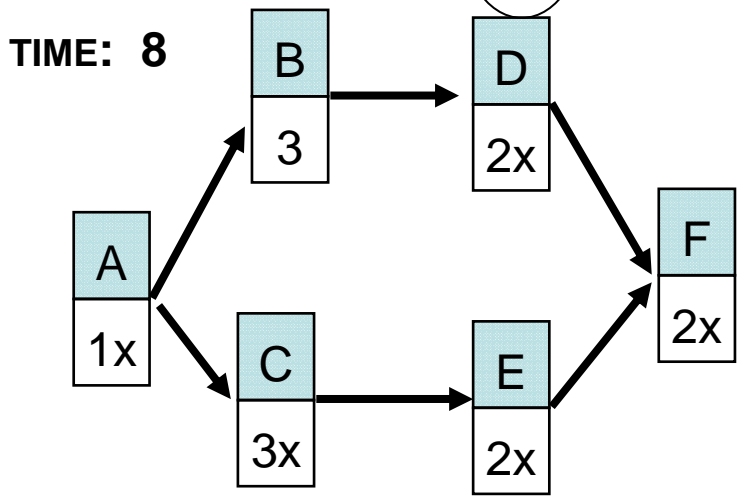
Activity	Normal Time	Normal Cost	Maximum Crash Time	Crash Cost
A	1	100	0	0
B	3	150	2	100
C	4	200	1	50
D	3	200	1	60
E	4	200	2	70
F	3	150	1	90



Total Direct Cost: 1,210

Activities Changed:

**F**  
**90**

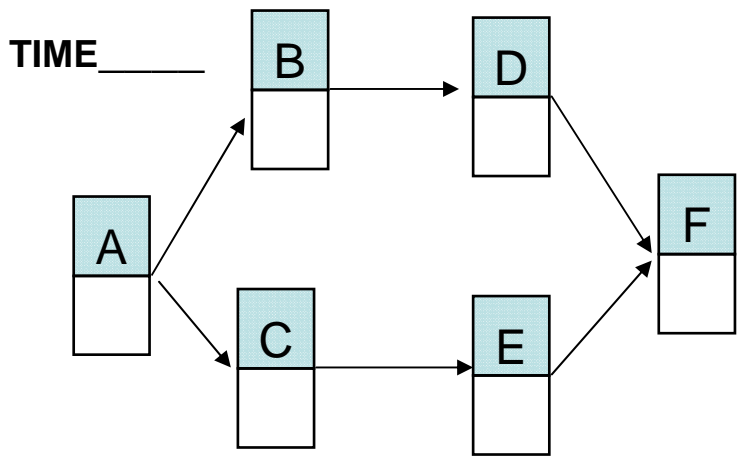


Total Direct Cost: 1,340

Activities Changed:

**D E**  
**60 70**

-----  
Crash Point!



Total Direct Cost: \_\_\_\_\_

Activities Changed:

\_\_\_\_\_